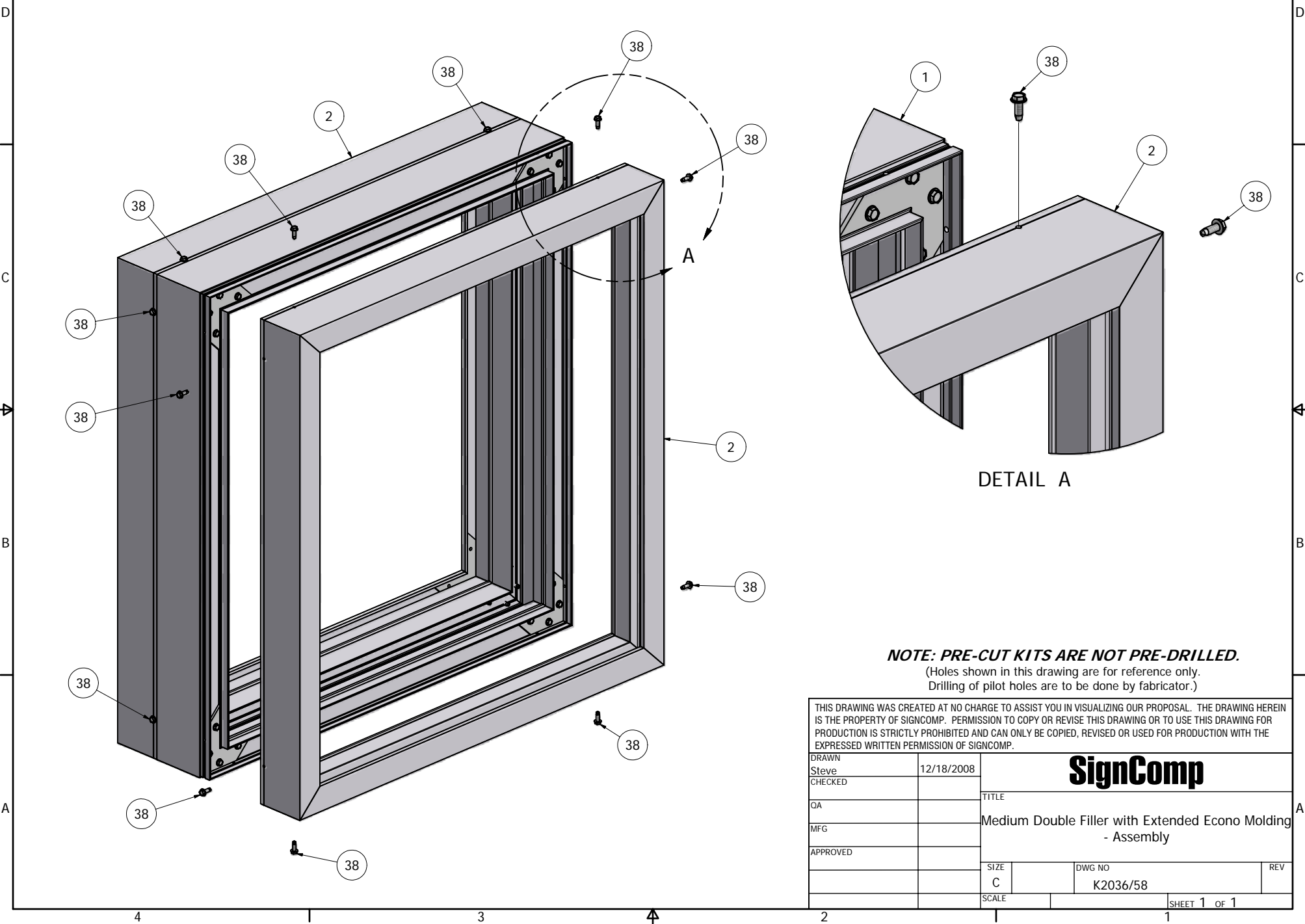


| Parts List | | | |
|------------|--------|------------------------------|-----------------------|
| ITEM | PART # | DESCRIPTION | NOTES |
| 1 | K2036 | Medium Double Face Filler | Assembly |
| 2 | K2056 | Extended Econo Molding | Assembly |
| 38 | 5217 | Extended Econo Molding Screw | Self Drilling/Tapping |

Ship To:
Order Number:



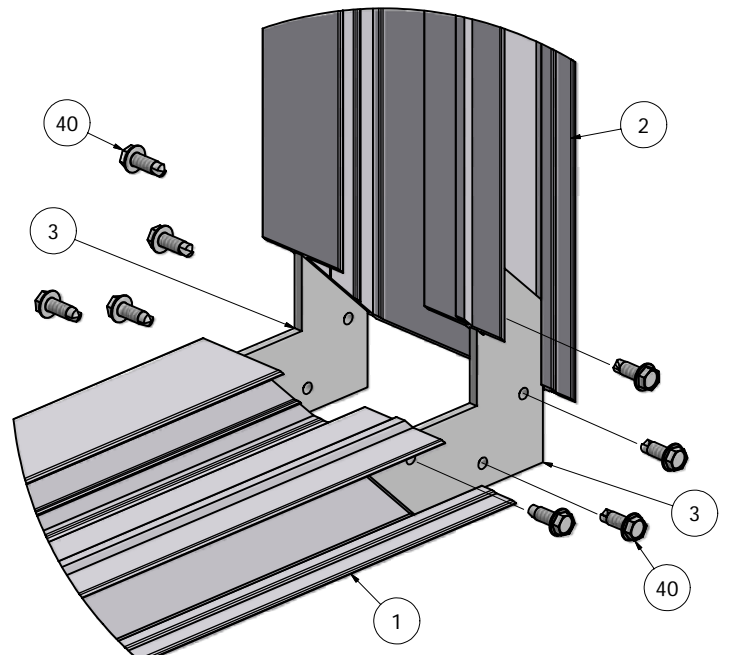
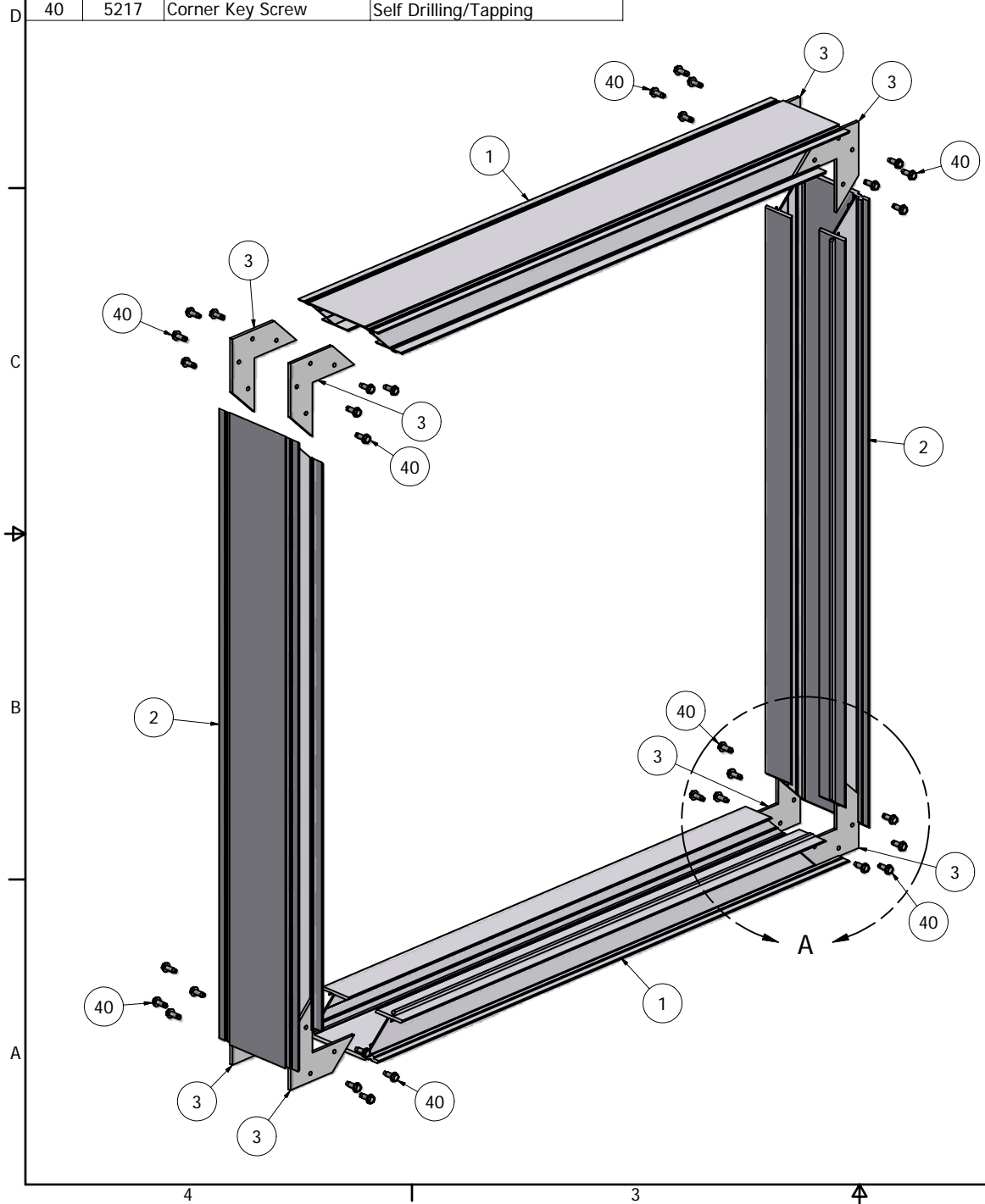
DETAIL A

NOTE: PRE-CUT KITS ARE NOT PRE-DRILLED.
(Holes shown in this drawing are for reference only.
Drilling of pilot holes are to be done by fabricator.)

| | | | | |
|---|------------|---|--------------------|-----|
| THIS DRAWING WAS CREATED AT NO CHARGE TO ASSIST YOU IN VISUALIZING OUR PROPOSAL. THE DRAWING HEREIN IS THE PROPERTY OF SIGNCOMP. PERMISSION TO COPY OR REVISE THIS DRAWING OR TO USE THIS DRAWING FOR PRODUCTION IS STRICTLY PROHIBITED AND CAN ONLY BE COPIED, REVISED OR USED FOR PRODUCTION WITH THE EXPRESSED WRITTEN PERMISSION OF SIGNCOMP. | | | | |
| DRAWN Steve | 12/18/2008 | SignComp | | |
| CHECKED | | | | |
| QA | | | | |
| MFG | | | | |
| APPROVED | | TITLE Medium Double Filler with Extended Econo Molding - Assembly | | |
| | | SIZE C | DWG NO K2036/58 | REV |
| | | SCALE | SHEET 1 OF 1 | |

| Parts List | | | |
|------------|--------|----------------------|-----------------------|
| ITEM | PART # | DESCRIPTION | NOTES |
| 1 | 2036 | Medium Double Filler | Top & Bottom |
| 2 | 2036 | Medium Double Filler | Sides |
| 3 | 5210 | Corner Key | Pre-Punched |
| 40 | 5217 | Corner Key Screw | Self Drilling/Tapping |

Ship To:
Order Number:



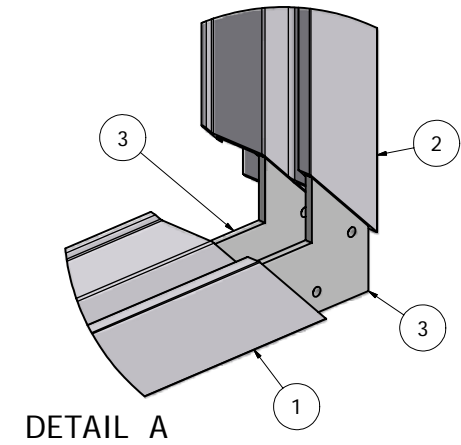
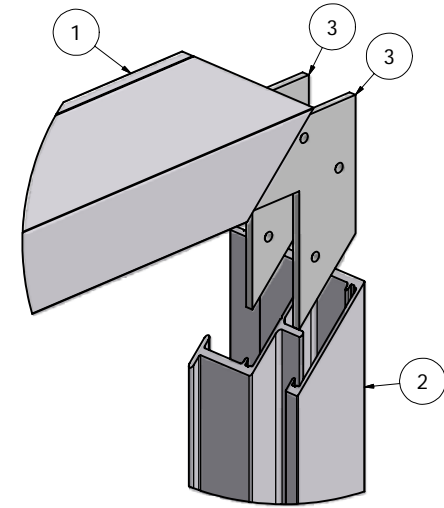
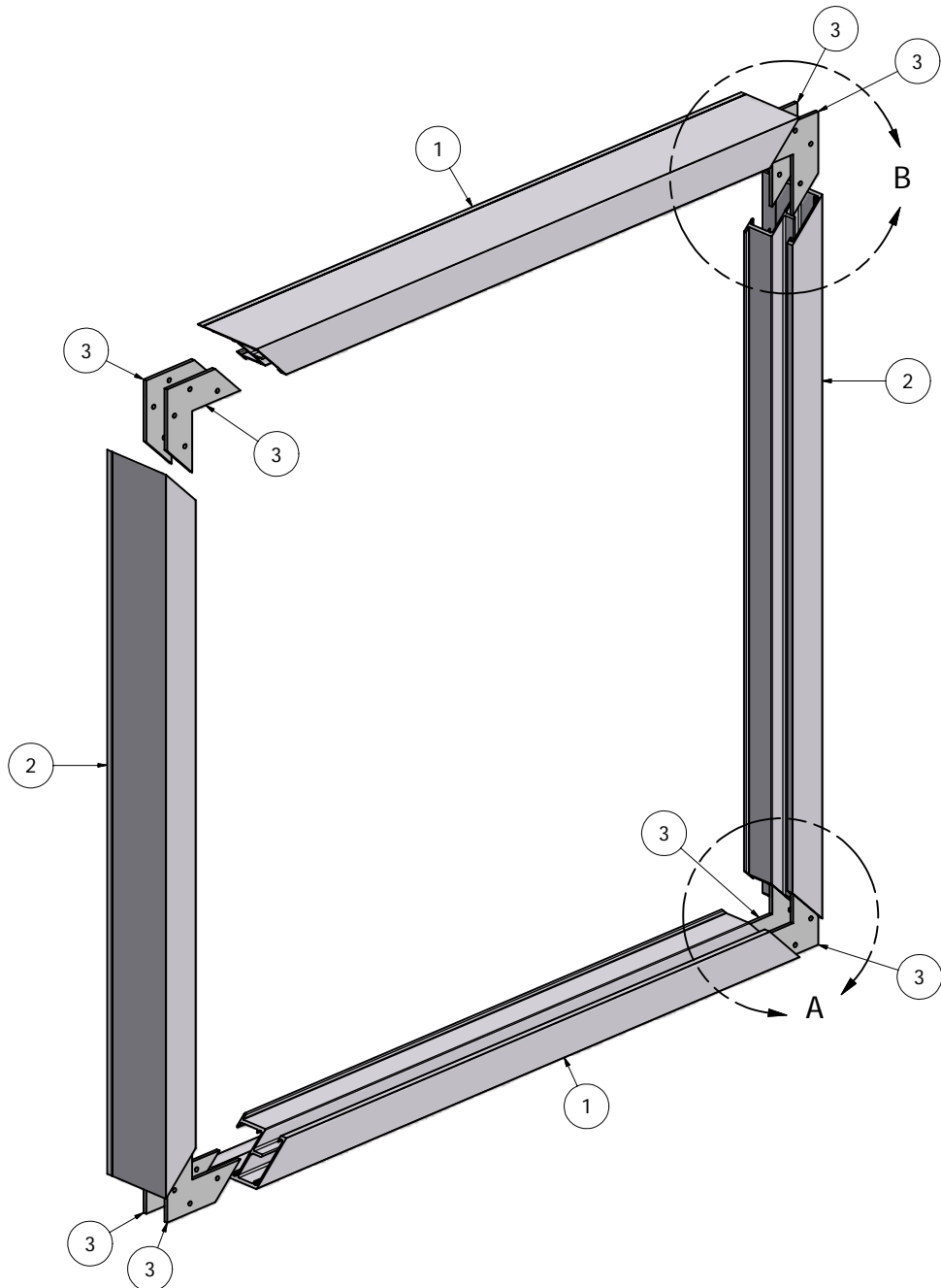
DETAIL A

NOTE: PRE-CUT KITS ARE NOT PRE-DRILLED.
(Holes shown in this drawing are for reference only.
Drilling of pilot holes are to be done by fabricator.)

| | | | | |
|---|------------|--------------------------------------|-----------------|-----|
| THIS DRAWING WAS CREATED AT NO CHARGE TO ASSIST YOU IN VISUALIZING OUR PROPOSAL. THE DRAWING HEREIN IS THE PROPERTY OF SIGNCOMP. PERMISSION TO COPY OR REVISE THIS DRAWING OR TO USE THIS DRAWING FOR PRODUCTION IS STRICTLY PROHIBITED AND CAN ONLY BE COPIED, REVISED OR USED FOR PRODUCTION WITH THE EXPRESSED WRITTEN PERMISSION OF SIGNCOMP. | | | | |
| DRAWN Steve | 12/18/2008 | SignComp | | |
| CHECKED | | | | |
| QA | | | | |
| MFG | | | | |
| APPROVED | | Medium Double Face Filler - Assembly | | |
| | | SIZE C | DWG NO K2036 | REV |
| | | SCALE | SHEET 1 OF 1 | |

| Parts List | | | |
|------------|--------|------------------------|--------------|
| ITEM | PART # | DESCRIPTION | NOTES |
| 1 | 2058 | Extended Econo Molding | Top & Bottom |
| 2 | 2058 | Extended Econo Molding | Sides |
| 3 | 5210 | Corner Key | Pre-Punched |

Ship To:
Order Number:



NOTE: PRE-CUT KITS ARE NOT PRE-DRILLED.

(Holes shown in this drawing are for reference only.
Drilling of pilot holes are to be done by fabricator.)

THIS DRAWING WAS CREATED AT NO CHARGE TO ASSIST YOU IN VISUALIZING OUR PROPOSAL. THE DRAWING HEREIN IS THE PROPERTY OF SIGNCOMP. PERMISSION TO COPY OR REVISE THIS DRAWING OR TO USE THIS DRAWING FOR PRODUCTION IS STRICTLY PROHIBITED AND CAN ONLY BE COPIED, REVISED OR USED FOR PRODUCTION WITH THE EXPRESSED WRITTEN PERMISSION OF SIGNCOMP.

| | | | |
|----------------|------------|--|-----------------|
| DRAWN Steve | 12/18/2008 | SignComp | |
| CHECKED | | | |
| QA | | TITLE Extended Econo Molding - Assembly | |
| MFG | | SIZE C | DWG NO K2058 |
| APPROVED | | SCALE | REV |
| | | SHEET 1 OF 1 | |